

## Product Description

### Part Number BCLIP-HP602W

Size: 3.00 inches x 1.90 inches

Material: Polypropylene

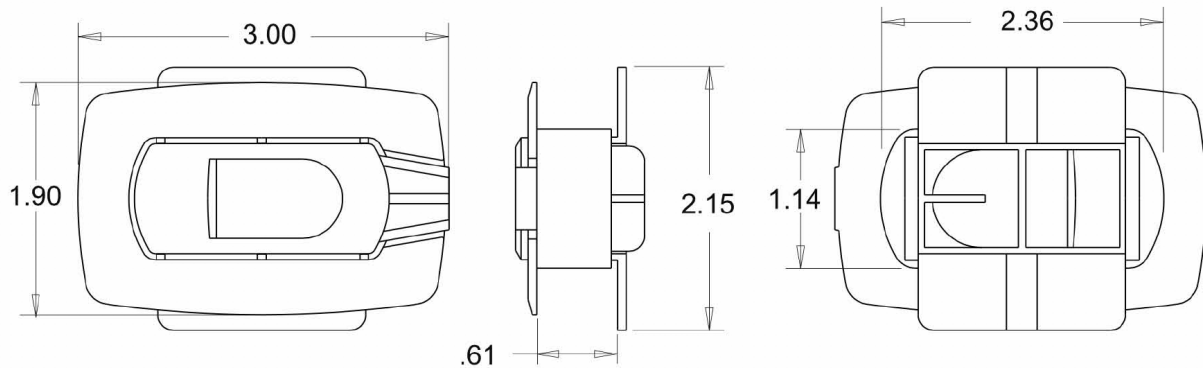


520-988-3002

[www.BigValleyPackaging.com](http://www.BigValleyPackaging.com)

[www.PackingShippingSupplies.com](http://www.PackingShippingSupplies.com)

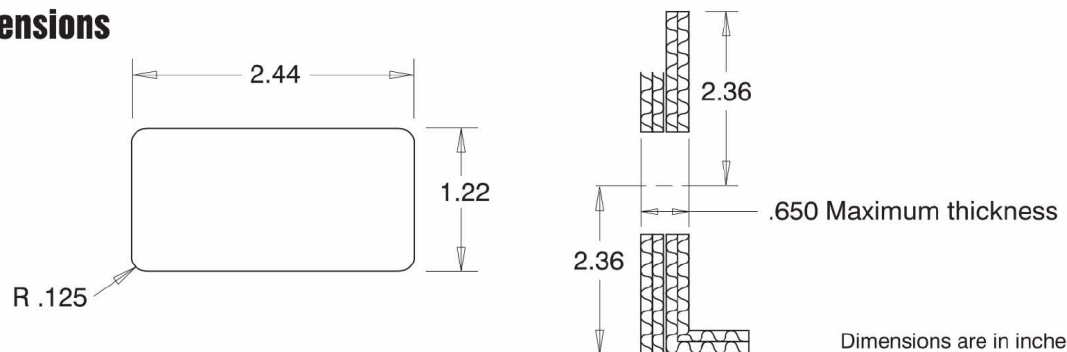
## Product Dimensions



Part Tolerance = +/- .03 inches (.75 mm)

Dimensions are in inches

## Die-cut Dimensions



Dimensions are in inches

## Packaging Information

Carton Pack: 500

Carton Weight: 25 lbs