

## Product Description

Item Number: **BCLIP-HP601WA**  
Size: 3.35 inches x 3.54 inches  
Material: Polypropylene

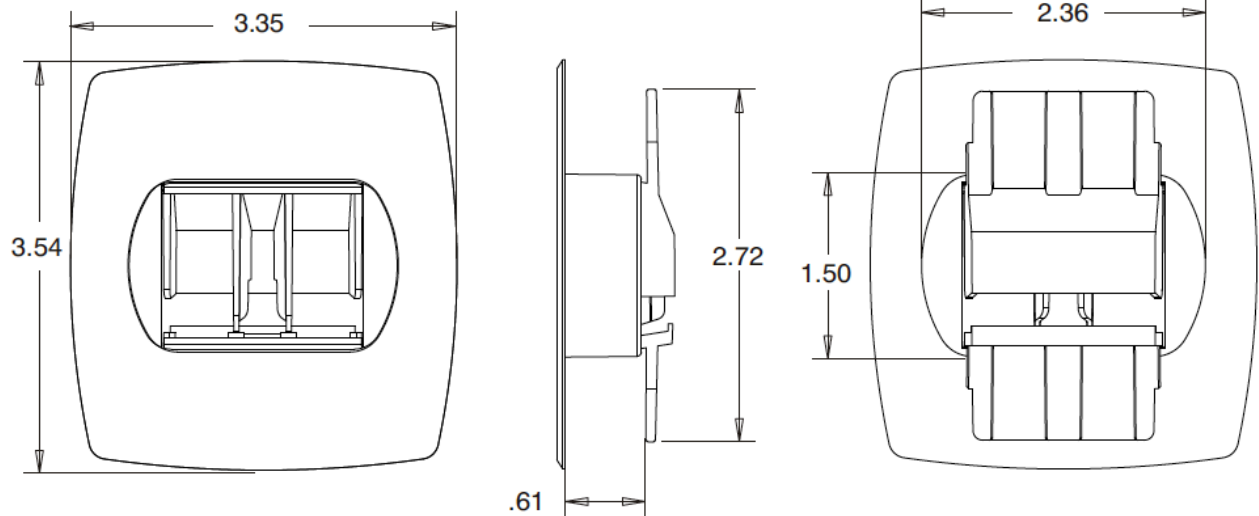
## Ordering Information

520-988-3002  
[www.BigValleyPackaging.com](http://www.BigValleyPackaging.com)



Em: [Support@BigValleyPackaging.com](mailto:Support@BigValleyPackaging.com)  
[www.PackingShippingSupplies.com](http://www.PackingShippingSupplies.com)

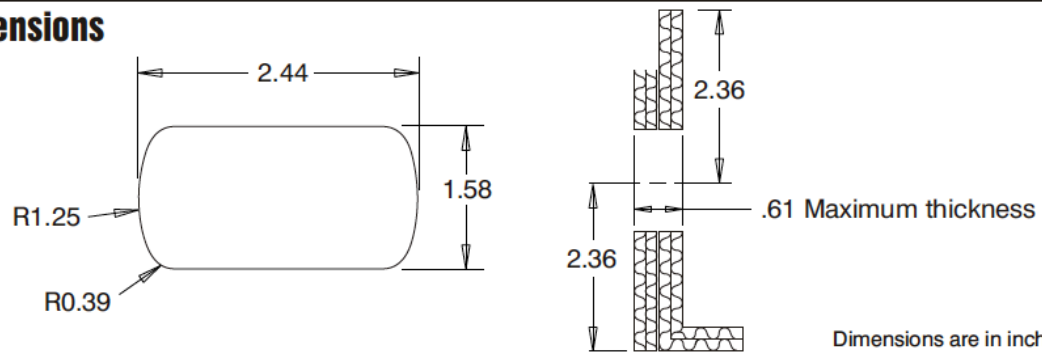
## Product Dimensions



Part Tolerance = +/- .03 inches (.75 mm)

Dimensions are in inches

## Die-cut Dimensions



Dimensions are in inches