

Specifications Sheet

Product Description

Item Name: Easy Slide Tuky Locks

HDLTuky9017.xx 1.0-1.5 mm carton thickness

HDLTuky9023.xx 2.25-2.75 mm carton thickness*

*Best for corrugated PP and cardboard materials.

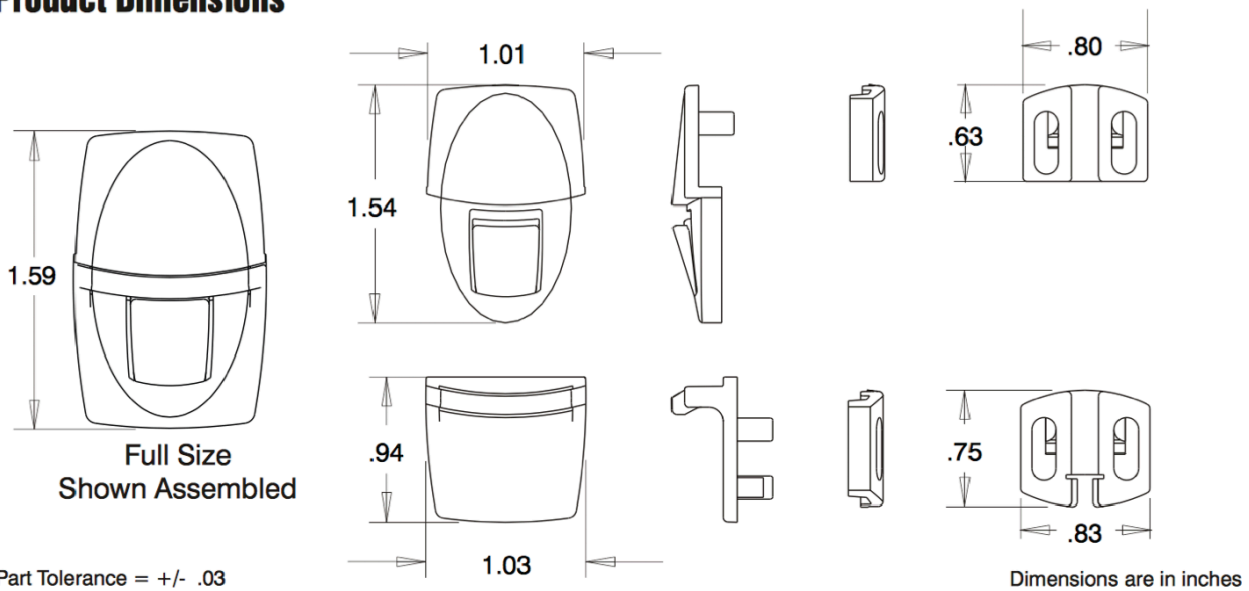
Ordering Information

xx= 10 White

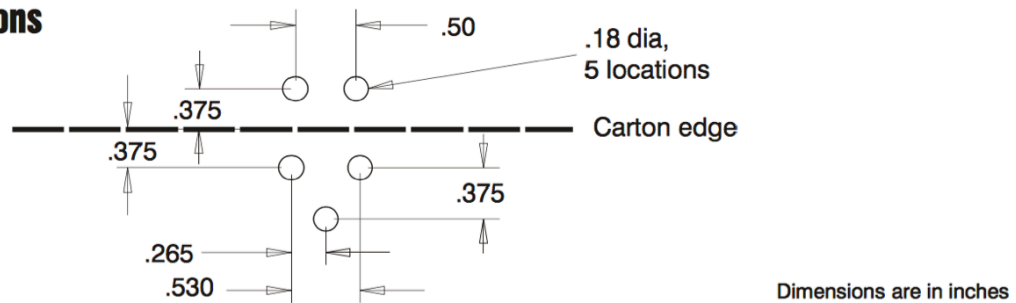
xx= 80 Black

Material: POM

Product Dimensions



Die-cut Dimensions



Packaging Information

Carton Pack: 2,000

Carton Weight: 35 lbs

